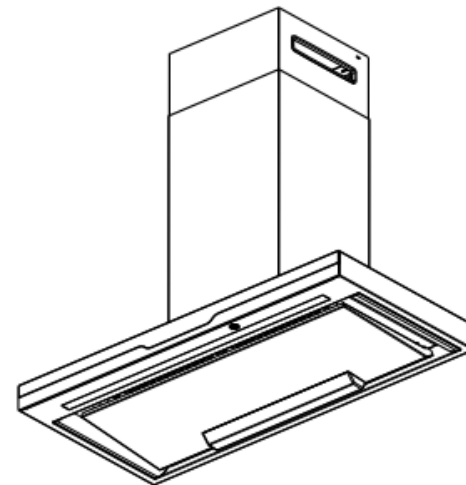
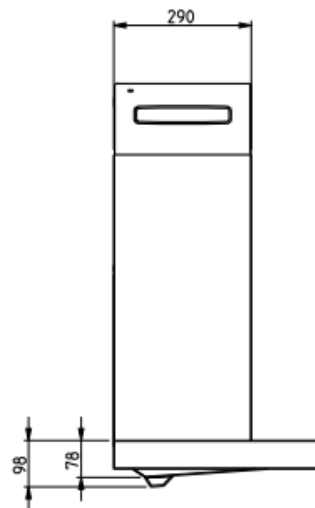
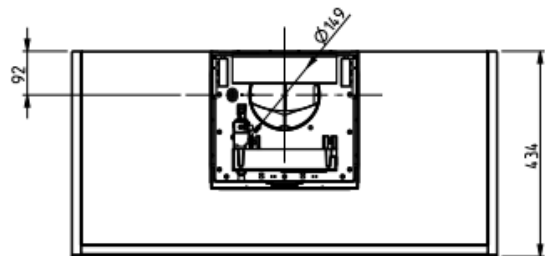
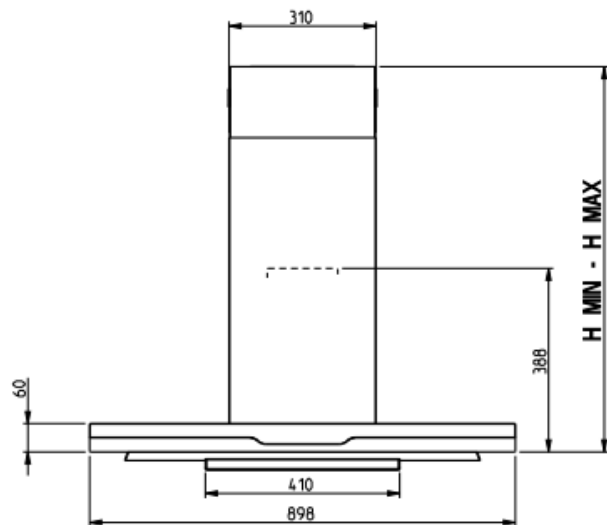
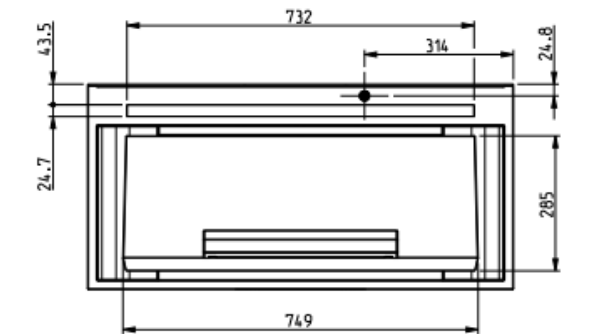


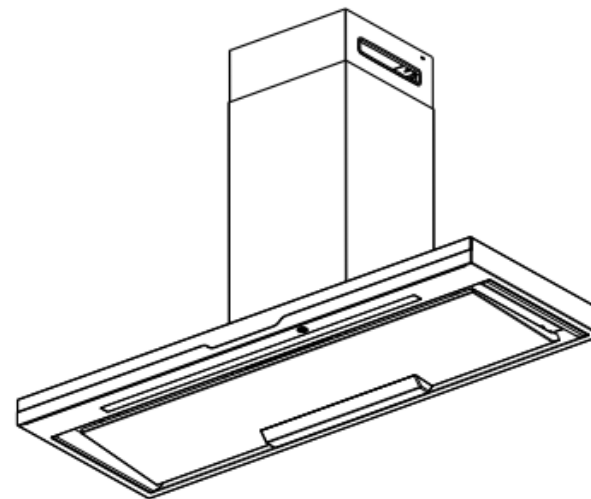
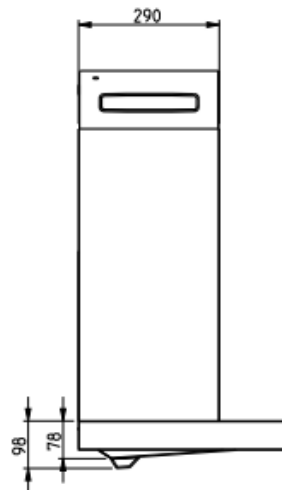
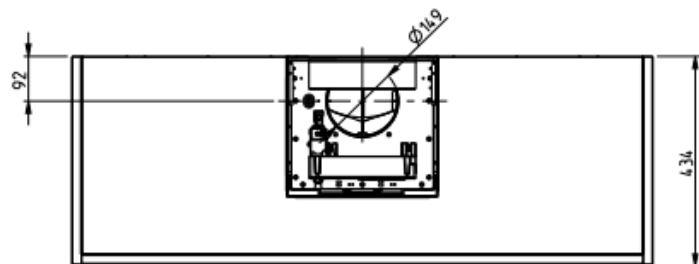
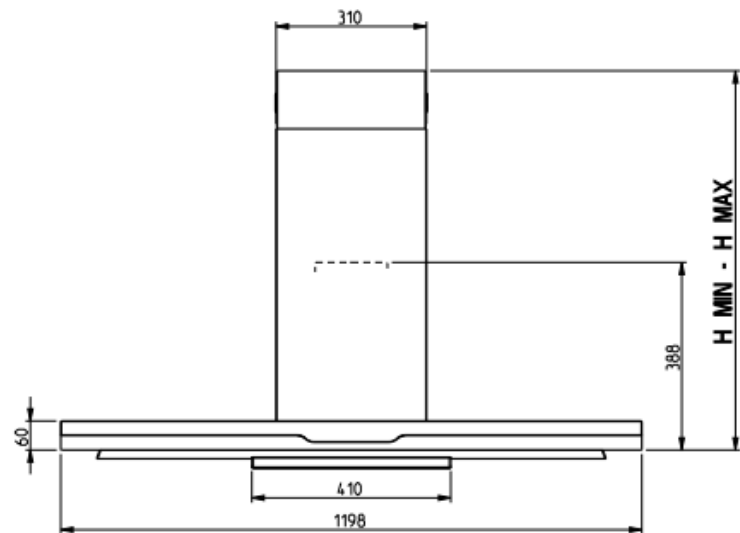
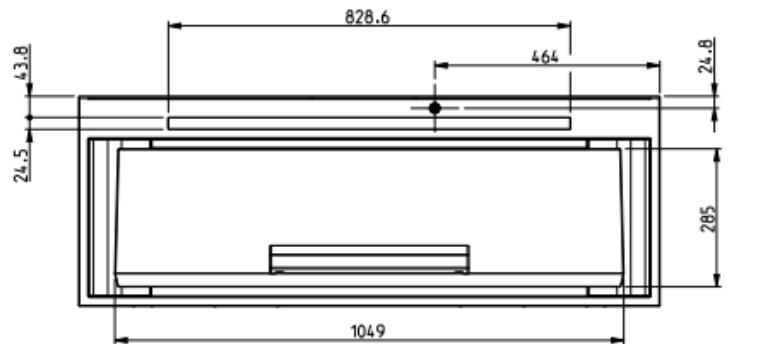
Mark	Revised record	Date
△		



KIT CAMINO (SUPERIORE REVERSIBILE)	VERSIONE	H MIN	H MAX
H: 615-645	FILTRANTE	767	1290
H: 615-645	ASPIRANTE	704	1207

CXW-130-MW91	—	SUS	—
Model	Product code	Color	Note
Created date	02/13/2018	Product category	Hood
Updated date	**/**/****	Model	CXW-130-MW91
FUJI INDUSTRIAL CO., LTD.	Scale	<del>1/50</del>	Product outline drawing

Mark	Revised record	Date
△		



KIT CAMINO (SUPERIORE REVERSIBILE)	VERSIONE	H MIN	H MAX
H: 615-645	FILTRANTE	767	1290
H: 615-645	ASPIRANTE	704	1207

CXW-130-MW121	—	SUS	—
Model	Product code	Color	Note
Created date	02/13/2018	Product category	Hood
Updated date	**/**/****	Model	CXW-130-MW121
FUJI INDUSTRIAL CO., LTD.	Scale	$\frac{1}{10}$	Product outline drawing