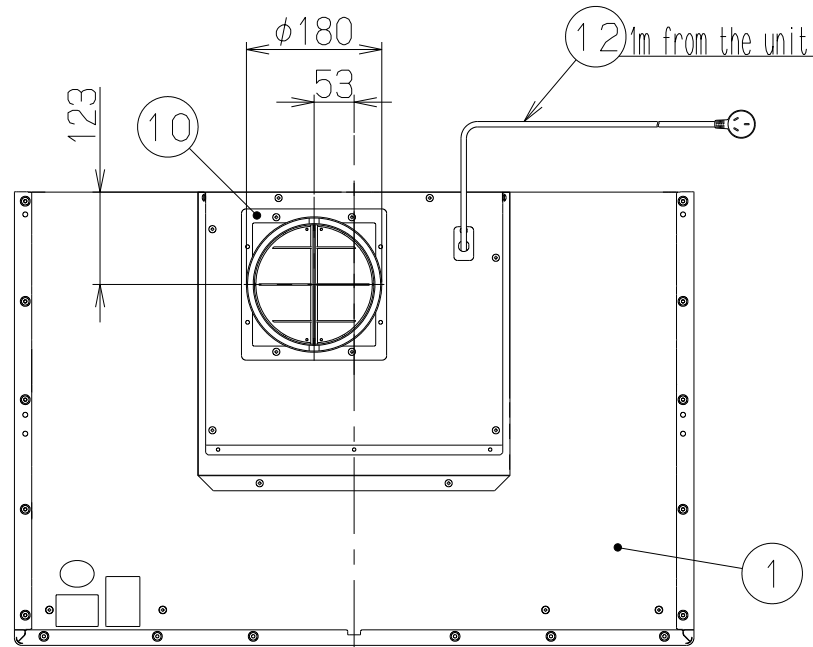


Mark	Revised record	Date
△		



Specifications

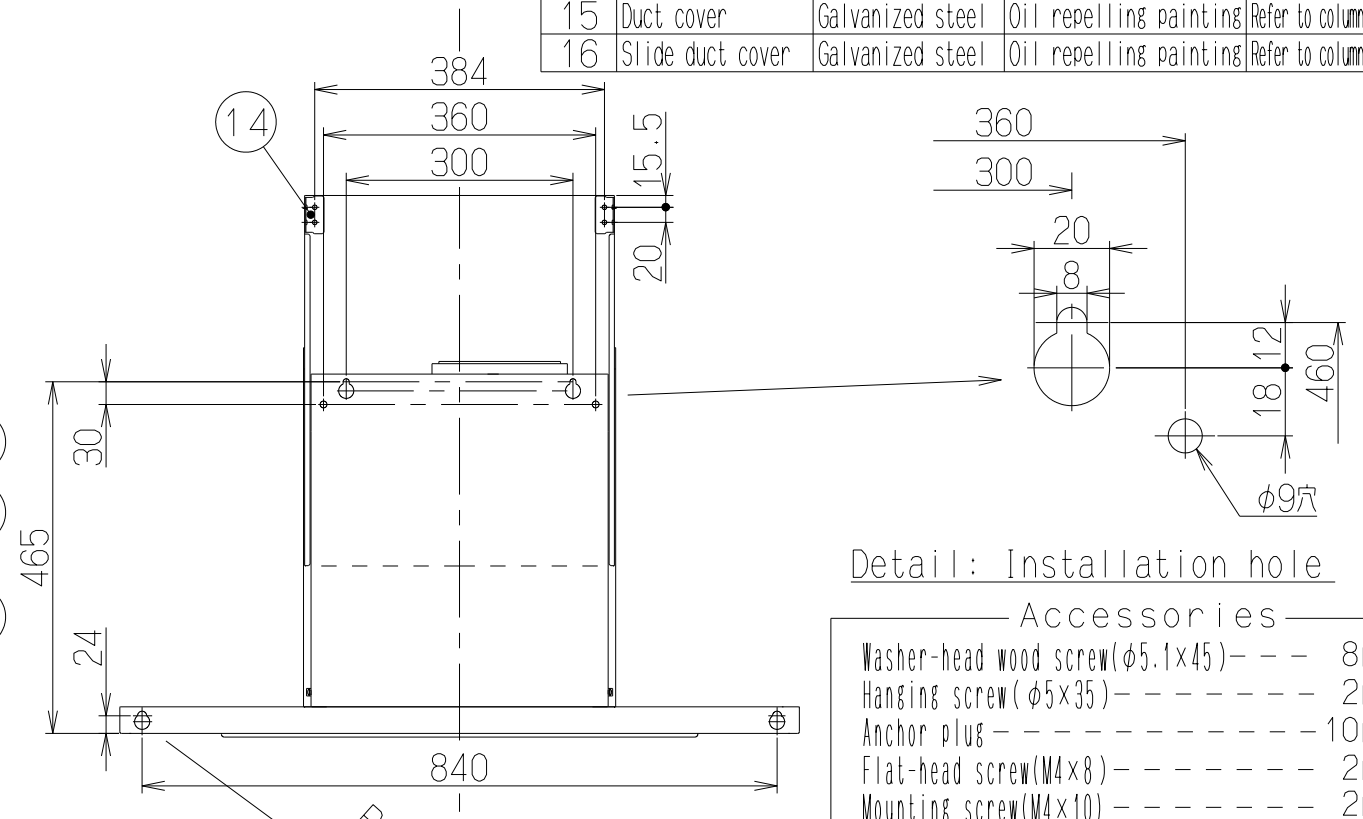
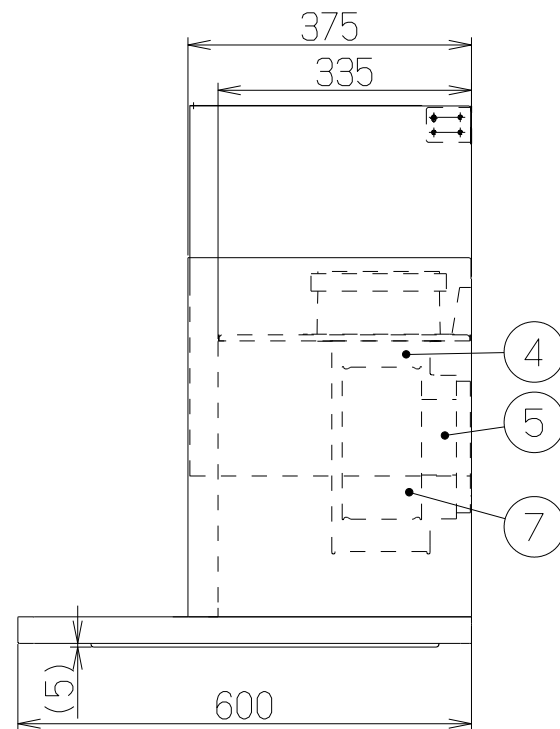
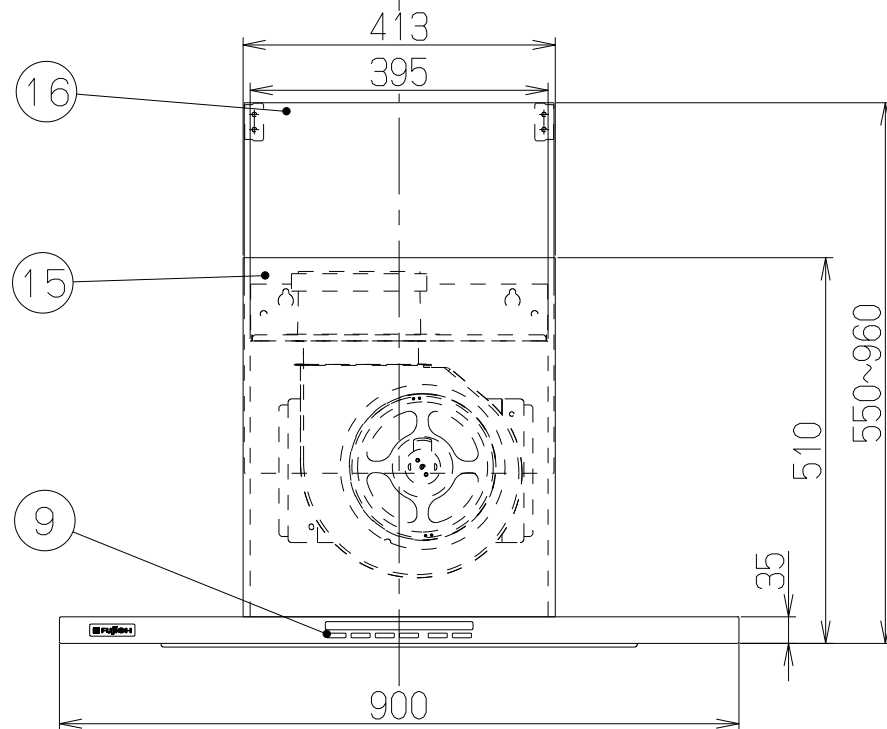
Model	Voltage (V)	Frequency (Hz)	Speed	Power Consumption (W)	Airflow (m³/h)		Sound (dB)	Weight (kg)
					0 Pa			
CXW-170-CL	220	50	HH	137	600	—	53	28
			Hi	56	—	420	46	
			Mid	44	380	—	43	
			Low	28	300	—	38	
			LL	18	250	—	32	

Motor type	8 Pole DC brushless motor	Insulation resistance	Over 10MΩ (500V megger)	Withstanding voltage	AC1000V for 1 min	Insulation class	E
------------	---------------------------	-----------------------	-------------------------	----------------------	-------------------	------------------	---

Airflow measured by JIS C9603 chamber method
(At 80Pa: maximum power consumption 159W)

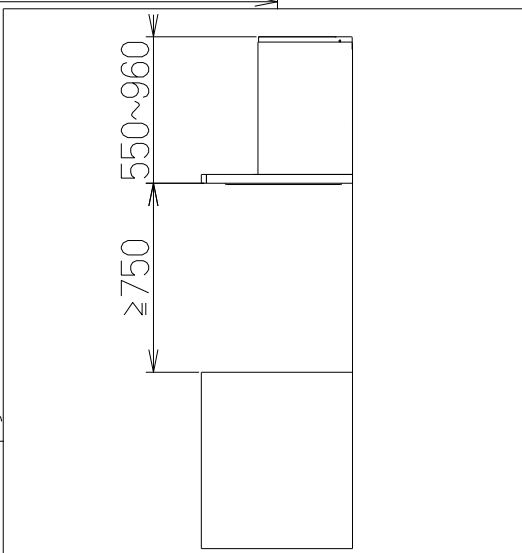
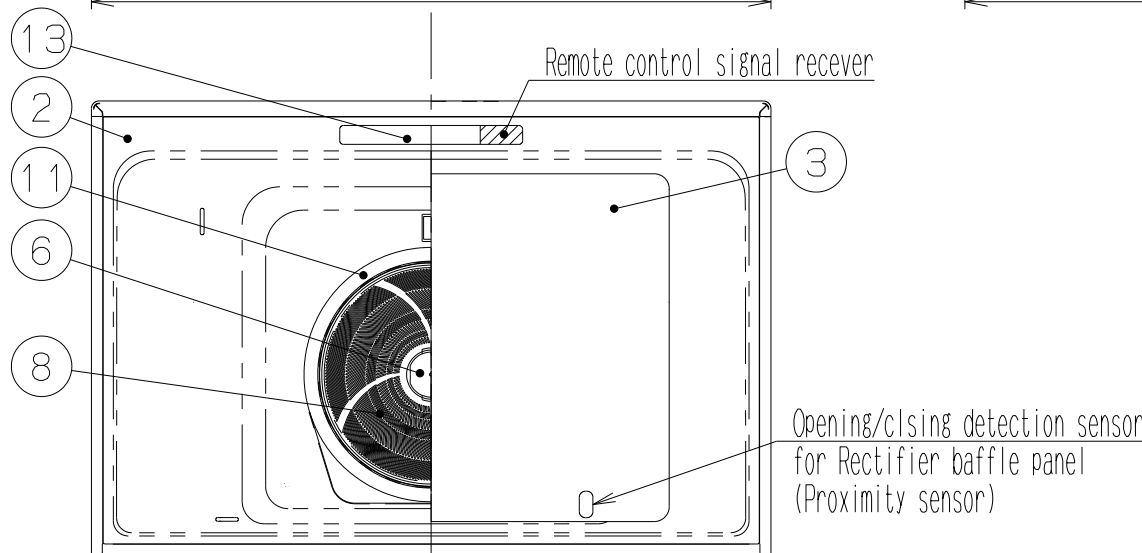
Major Parts

No.	Parts	Material	Finish	Color
1	Hood body	Galvanized steel	Oil repelling painting	Refer to column
2	Oil panel	Galvanized steel	Oil repelling painting	Refer to column
3	Rectifier baffle panel	Galvanized steel	Oil repelling painting	Refer to column
4	Blower unit	Galvanized steel		
5	Motor(For fan)	8 Pole DC brushless motor, class E		
6	Motor(For disk)	8 Pole DC brushless motor, class E		
7	Fan	Galvanized steel(Sirocco fan)		
8	disk	Stainless steel	Double sided hydrophilic painting (One touch attachment and detachment)	
9	Switch	Soft touch switch	Operation on/off, Air flow(Low/Mid/Hi), Timer(3min), Lamp, cleaning lamp, 24 hour mode	
10	Exhaust port	Galvanized steel	Shutter is attached.	*Accessories
11	Oil tray	Galvanized steel	Oil repelling painting	Refer to column
12	Power supply cord	cable(2 Pole grounding plug with plug)		
13	Lighting	LED(Day white color, 3.5W)		
14	Duct cover fixing bracket	Galvanized steel		*Accessories
15	Duct cover	Galvanized steel	Oil repelling painting	Refer to column *Accessories
16	Slide duct cover	Galvanized steel	Oil repelling painting	Refer to column *Accessories



Detail: Installation hole

Accessories	
Washer-head wood screw(φ5.1x45)	8pcs
Hanging screw(φ5x35)	2pcs
Anchor plug	10pcs
Flat-head screw(M4x8)	2pcs
Mounting screw(M4x10)	2pcs
Mounting screw(M4x16)	4pcs
Mounting screw(φ3x8)	2pcs
Duct cover fixing bracket	2pcs
Sealing gasket	1pcs
Flexible duct(Maximum length of 1.5m)	1pcs
Remote controller	1pcs



Standard Installation

Detail: Installation hole

CXW-170-CLW	1A9025WP	White	—
CXW-170-CLBK	1A9025SW	Black	—
CXW-170-CLSV	1A9025AC	MD Silver	—
Model	Product code	Color	Note

Created date: 20/ 2/2017 | Product category: Cooker Hood

Updated date: **/**/**** | Model: CXW-170-CL

FUJI INDUSTRIAL CO., LTD. | Scale: 1/10 | Product outline drawing