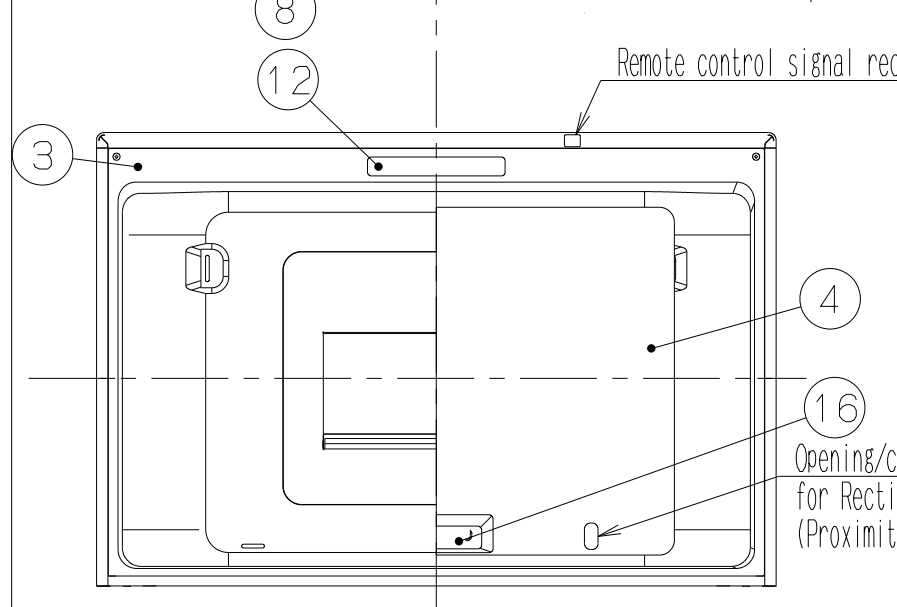
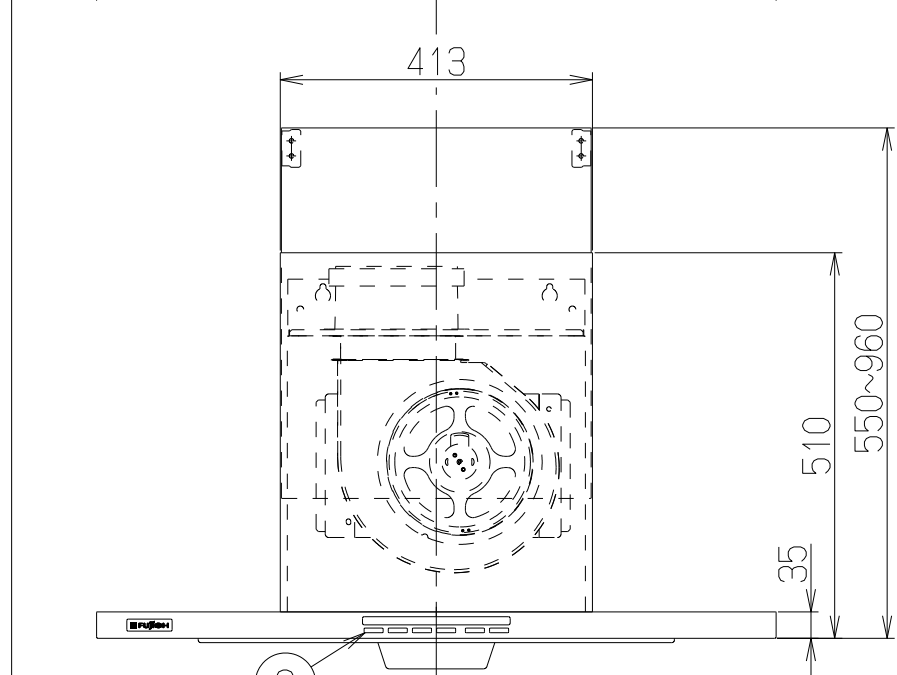
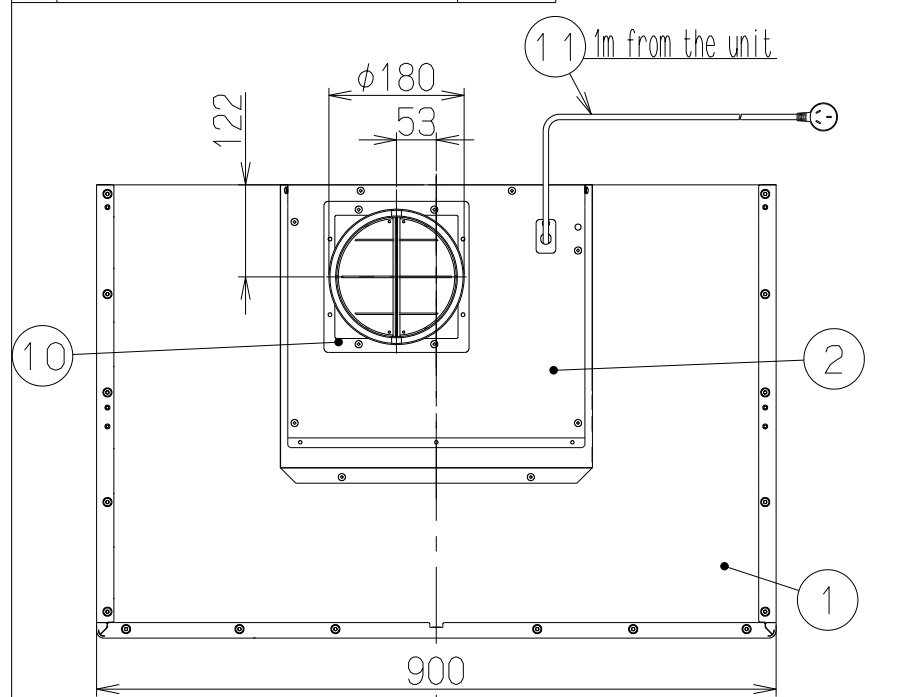


Mark	Revised record	Date
△		



Specifications

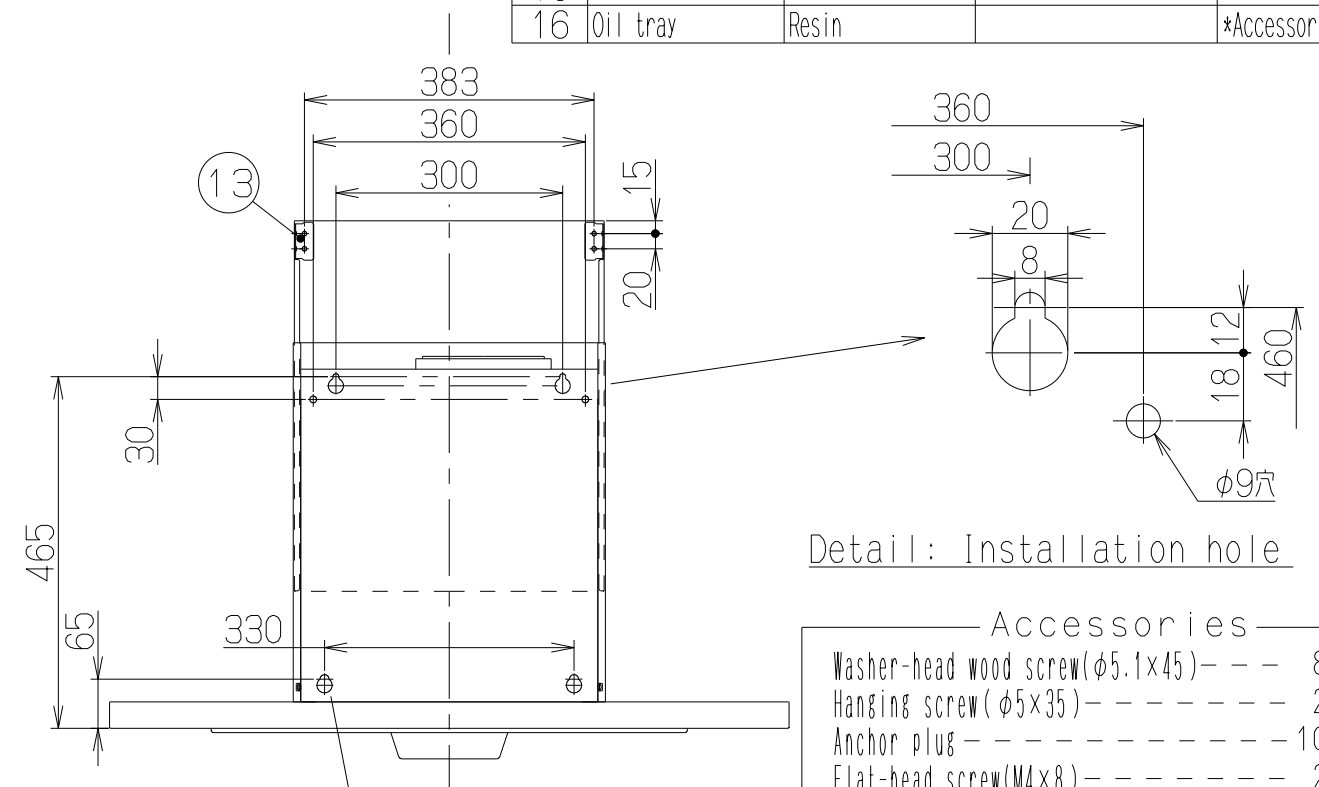
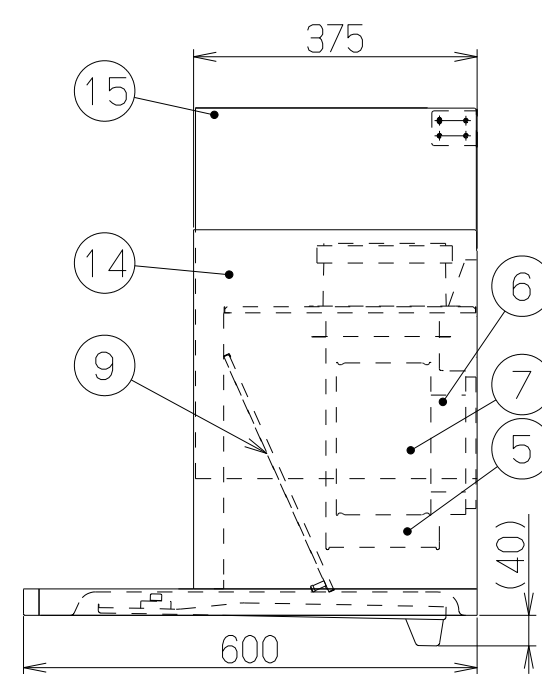
Model	Voltage (V)	Frequency (Hz)	Speed	Power Consumption (W)	Airflow (m³/h)		Sound (dB)	Weight (kg)
					0 Pa			
CXW-130-HV	220	50	HH	89	600	—	51	25
			Hi	41	—	420	44	
			Mid	29	380	—	40	
			Low	14	300	—	34	
			LL	10	250	—	29	

Motor type	8 Pole DC brushless motor	Insulation resistance	Over 10MΩ (500V megger)	Withstanding voltage	AC1000V for 1 min	Insulation class	E
------------	---------------------------	-----------------------	-------------------------	----------------------	-------------------	------------------	---

Airflow measured by JIS C9603 chamber method
(At 180Pa: maximum power consumption 115W)

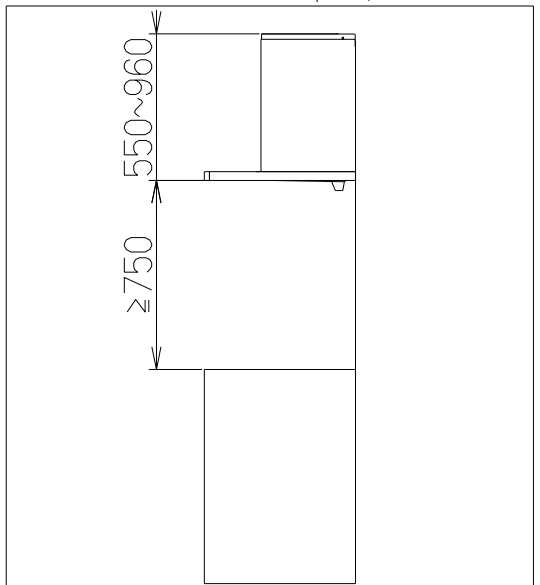
Major Parts

No.	Parts	Material	Finish	Color
1	Hood body	Galvanized steel	Oil repelling painting	Refer to column
2	Body	Galvanized steel		
3	Oil panel	Galvanized steel	Oil repelling painting	Refer to column
4	Rectifier baffle panel	Galvanized steel	Oil repelling painting	Refer to column
5	Blower unit	Galvanized steel		
6	Motor	8 Pole DC brushless motor, class E		
7	Fan	Galvanized steel (Sirocco fan)		
8	Swich	Soft touch switch	Operation on/off, Air flow (Low/Mid/Hi), Timer (3min), Lamp, cleaning lamp, 24 hour mode	
9	Filter	1 layer of Galvanized steel Aqua slit filter (Double-sided hydrophilic coat: Clear)		
10	Exhaust port	Resin	Shutter is attached.	*Accessories
11	Power supply cord	cable (2 Pole grounding plug with plug)		
12	Lighting	LED (Day white color, 3.5W)		
13	Duct cover fixing bracket	Galvanized steel		*Accessories
14	Duct cover	Galvanized steel	Oil repelling painting	Refer to column *Accessories
15	Slide duct cover	Galvanized steel	Oil repelling painting	Refer to column *Accessories
16	Oil tray	Resin		*Accessories

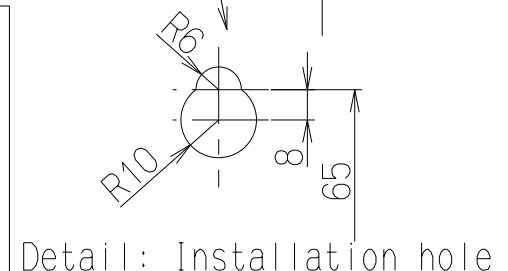


Detail: Installation hole

Accessories	
Washer-head wood screw (φ5.1x45)	8pcs
Hanging screw (φ5x35)	2pcs
Anchor plug	10pcs
Flat-head screw (M4x8)	2pcs
Mounting screw (M4x10)	2pcs
Mounting screw (M4x16)	4pcs
Mounting screw (φ3x8)	2pcs
Duct cover fixing bracket	2pcs
Sealing gasket	1pcs
Flexible duct (Maximum length of 1.5m)	1pcs



Standard Installation



Detail: Installation hole

CXW-130-HVW	1A9024WP	White	—
CXW-130-HVBK	1A9024SW	Black	—
CXW-130-HVSV	1A9024AC	MD Silver	—
Model	Product code	Color	Note
Created date	15/ 2/2017	Product category	Cooker Hood
Updated date	**/**/****	Model	CXW-130-HV
FUJI INDUSTRIAL CO., LTD.	Scale 1/10	Product outline drawing	