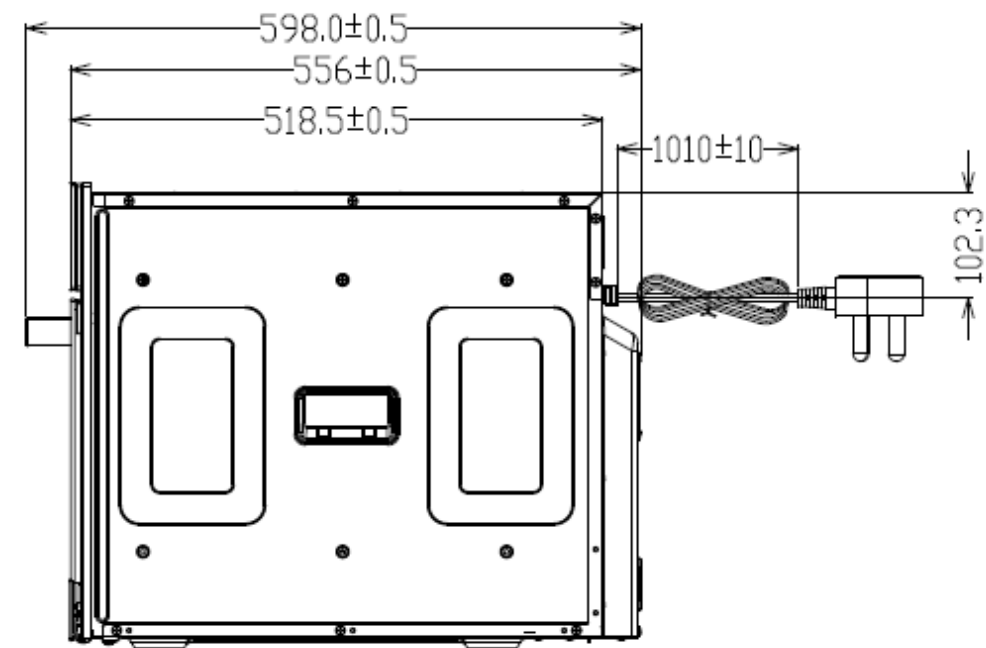
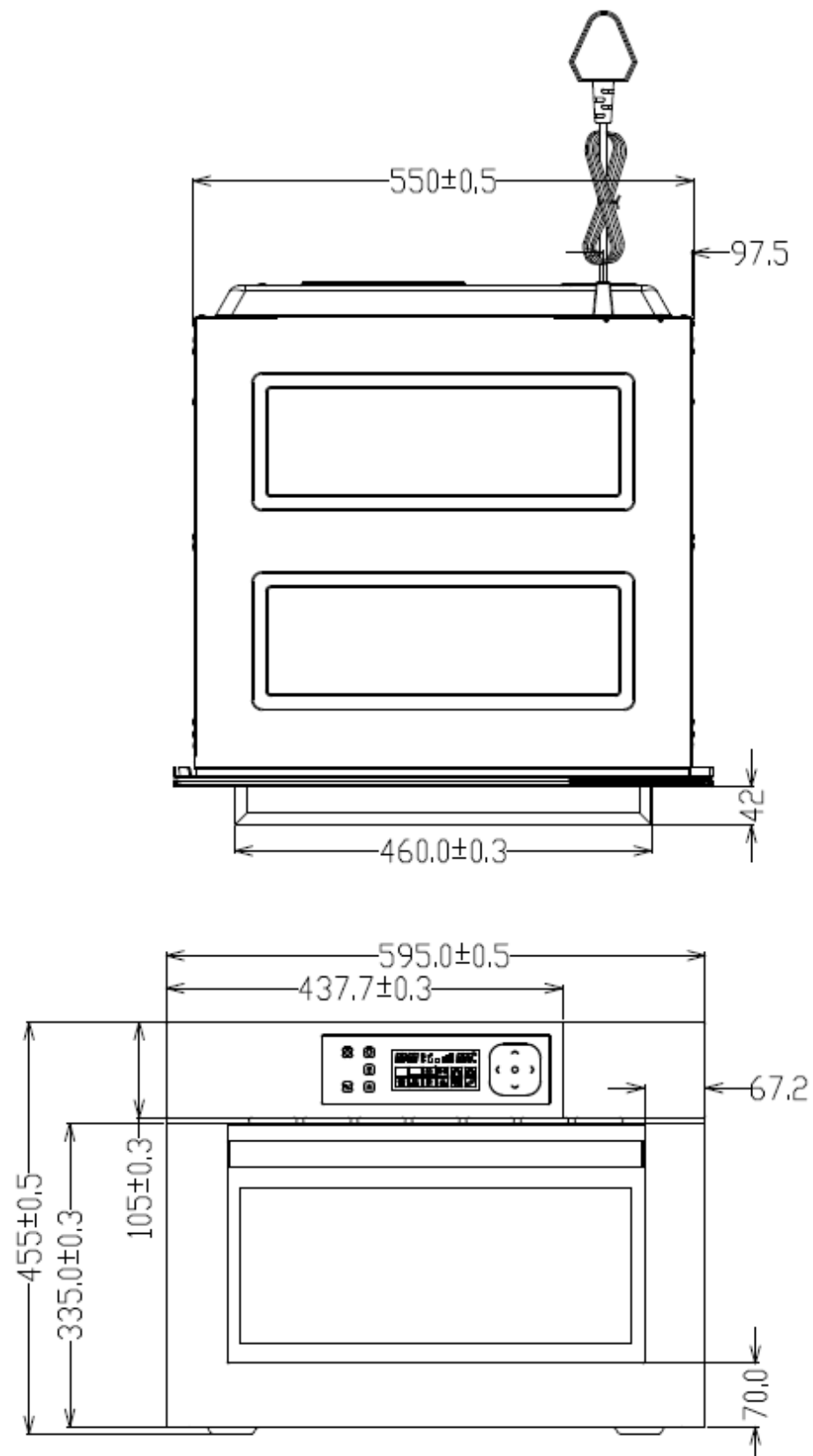


Mark	Revised record	Date
△		



FZK58-GSA	—	SUS/Glass	—
Model	Product code	Color	Note
Created date	23/08/2017	Product category	Combination Oven
Updated date	**/**/****	Model	FZK58-GSA
FUJI INDUSTRIAL CO., LTD.	Scale	$\frac{1}{10}$	Product outline drawing